

# Industrial Butterfly Valve Series 292

## Allvalves™ Stainless Steel Butterfly Valves

**ALLVALVES**  
ONLINE

### Main Features :-

2" to 8" from stock

Stainless Steel body and disc

Lever operated. Gearbox option

Italian manufacturer

Suitable for actuation

PTFE on EPDM liner

Available actuated



TYPE: BUTTERFLY VALVE

### Dimensional Drawing:-

#### Pressure/Temperature Ratings

Size 2" - 6" Max 16 Bar  
8" 10 Bar

Temperature 20°C to 110°C

#### Material List

Body A351 CF8M Stainless Steel

Disc A351 CF8M Stainless Steel

Liner PTFE/EPDM

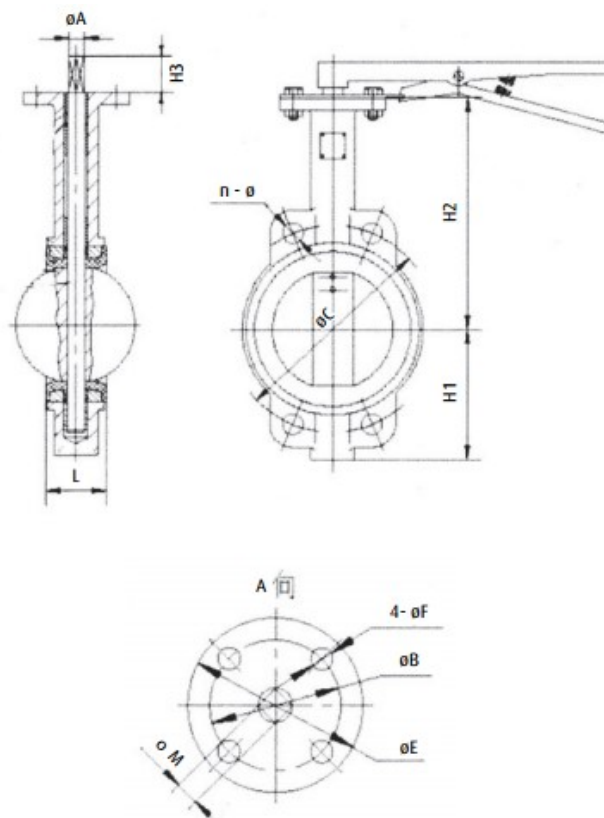
Stem 416 Stainless Steel

Pin 316 Stainless Steel

Bushes Bronze/PTFE

O-Rings EPDM

Lever Malleable Iron



#### Dimensions

DN	H1	H2	H3	L	øA	øE	øB	øF	ø M	DIN PN10		DIN PN16		ANSI B16.1		Torque Nm
										øC	n - ø	øC	n - ø	øC	n - ø	
DN50	76	162	32	45	12.7	92	70	9	9	125	4- ø 18	125	4- ø 18	120.65	4- ø 19	24
DN65	89	175	32	48	12.7	92	70	9	9	145	4- ø 18	145	4- ø 18	139.7	4- ø 19	33
DN80	95	181	32	49	12.7	92	70	9	9	160	4- ø 18	160	8- ø 18	152.4	4- ø 19	45
DN100	114	200	32	55	15.8	92	70	9	11	180	8- ø 18	180	8- ø 18	190.5	8- ø 19	84
DN125	127	213	32	58	19.05	92	70	9	14	210	8- ø 18	210	8- ø 18	215.9	8- ø 22	135
DN150	140	225	32	59	19.05	92	70	9	14	240	8- ø 23	240	8- ø 23	241.3	8- ø 22	210
DN200	177	260	36	64	22.2	125	102	11	17	295	8- ø 23	295	12- ø 23	298.45	8- ø 22	380

ISO 9001:2015 Accredited Company

Tel: +44(0)1386 552369

Fax: +44(0)1386 554227

sales@allvalves.co.uk

www.allvalves.co.uk

Allvalves Online Ltd, Automation House, Unit 2, Pershore, WR10 2DF UK